

GENERAL PUMP *A member of the Interpump Group*

FEATURES

- Direct Mount for EZ, 47 and 63 Series Pumps
- Sturdy Steel and Brass Construction
- Adjustable locknut to control max pressure
- Easy Maintenance
- Plastic Cap with Anit-removal System
- Hexagonal Check Valve Avoids Jamming

SPECIFICATIONS

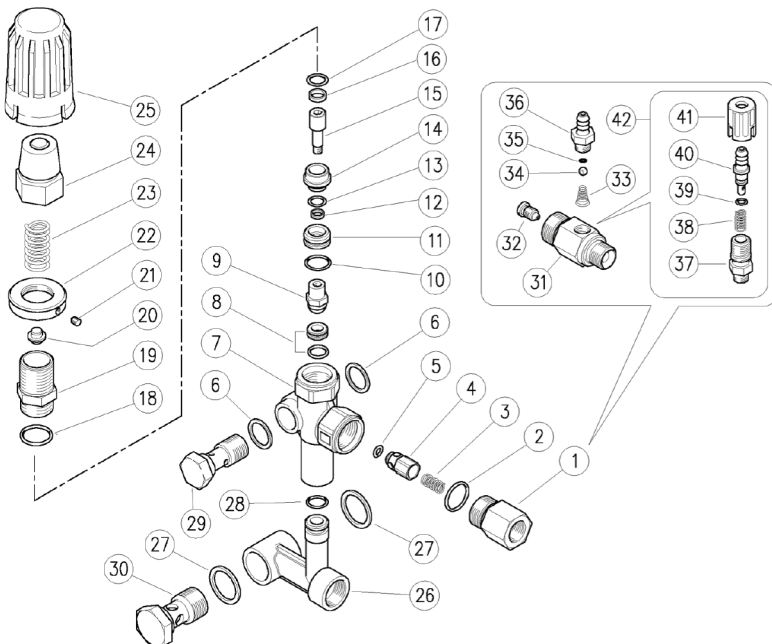
| | | |
|----------------------------|--------------------------------------|------------|
| Part Number | YVB55KDM | |
| Maximum Flow | 8.0 GPM | |
| Rated Pressure | 3200 PSI | |
| Maximum Discharge Pressure | 3650 PSI | |
| Maximum Temperature | 195 °F | |
| Port Sizes: | Inlet | 1/2" BSP-F |
| | Outlet | 3/8" BSP-F |
| Dimensions | 5.84" x 3.13" x 2" | |
| Shipping Weight | 2.0 lbs. | |
| Materials | Brass, Stainless, Plastic, Buna-N | |

YVB55KDM

Control Set Unloader



PARTS LIST



| Item | Part Number | Description | Kit | Qty |
|------|-------------|----------------------------|-----|-----|
| 12 | Y10400792 | Back-up Ring, 7x9x2 | * | 1 |
| 13 | Y10305600 | O-ring, 1.78 x 8.74 | * | 1 |
| 14 | Y60130331 | Spacer Ring, 7.3x18.5x12.7 | | 1 |
| 15 | Y60130751 | Piston, M6 SST | | 1 |
| 16 | Y10401113 | Back-up Ring, 11x13x2 | * | 1 |
| 17 | Y10306000 | O-ring, 1.78x12.42 | * | 1 |
| 18 | Y10306801 | O-ring, 1.78x17.17 | * | 1 |
| 19 | Y60130831 | Piston Holder, Brass | | 1 |
| 20 | Y60131331 | Spring Guide Pin | | 1 |
| 21 | Y16210000 | Set Screw | | 1 |
| 22 | Y60131231 | Ring Nut | | 1 |
| 23 | Y60131561 | Spring, 3.4x13.8x48 | | 1 |
| 24 | Y60130431 | Valve Regulating Insert | | 1 |
| 25 | Y60120284 | Valve Regulating Knob | | 1 |
| 26 | Y60135235 | Manifold | | 1 |
| 27 | Y14410100 | Sealing Washer | | 4 |
| 28 | Y10317510 | O-ring, 2.62x10.77 | | 1 |
| 29 | Y60100731 | Pierced Screw, 3/8M BSP | | 1 |
| 30 | Y60100831 | Pierced Crew, 1/2N BSP | | 1 |
| 31 | Y21026131 | Injector Housing | | 1 |
| 32 | Y21021351 | Nozzle, M8x1-2.1 SST | | 1 |
| 33 | Y21016051 | Tapered Spring, SST | | 1 |
| 34 | Y14742001 | Ball, 7/32", SST | | 1 |
| 35 | Y10304900 | O-ring, 1.78x5.28 | | 1 |
| 36 | Y21000331 | Hose Barb | | 1 |
| 37 | Y21017331 | Coupling | | 1 |
| 38 | Y21015851 | Spring, 0.8x7x15, SST | | 1 |
| 39 | Y10304301 | O-ring, 1.78x4.48 | | 1 |
| 40 | Y21015531 | Hose Barb | | 1 |
| 41 | Y21017184 | Injector Knob | | 1 |
| 42 | Y21010000 | Regulator & Hose Barb | | 1 |
| * | Y60131624 | Repair Kit | | |

| Item | Part Number | Description | Kit | Qty |
|------|-------------|--------------------------------|-----|-----|
| 1 | Y60005831 | Del. Coupling, 3/8F BSP, Brass | | 1 |
| 2 | Y10307002 | O-ring, 1.78 x 18.77 | * | 1 |
| 3 | Y60005351 | Spring, 0.7 x 9 x 20 | | 1 |
| 4 | Y60005231 | Shutter Pin, Brass | | 1 |
| 5 | Y10321300 | O-ring, 3 x 6 | * | 1 |
| 6 | Y14410000 | Sealing Washer, 3/0 BSP | | 2 |
| 7 | Y60135135 | Valve Housing, Brass | | 1 |
| 8 | Y60130620 | Seat | * | 1 |
| 9 | Y60131121 | Shutter Pin | * | 1 |
| 10 | Y10306401 | O-ring, 1.78 x 14 | * | 1 |
| 11 | Y60130131 | Spacer Ring, 7x18x7.5 | | 1 |



General Pump is a member of the Interpump Group.



APPLICATION

This product is to be used with clean, fresh water. For different or corrosive liquids, contact **GP Companies Inc.** technical support department. Appropriate filtration should be installed when used with liquids containing any solids. Select the proper unloader valve based on the nominal operating rating: system rated pressure, max flow and max temperature. **Under no circumstances should the pressure of the system exceed the maximum rated pressure of any component.**

INSTALLATION

When installed on hot water cleaners, this valve is to be installed **before** the boiler. Installing safety devices which limit the accidental increase of the fluid temperature is required.

Always install a safety valve (pop-off) to protect the operator and system.

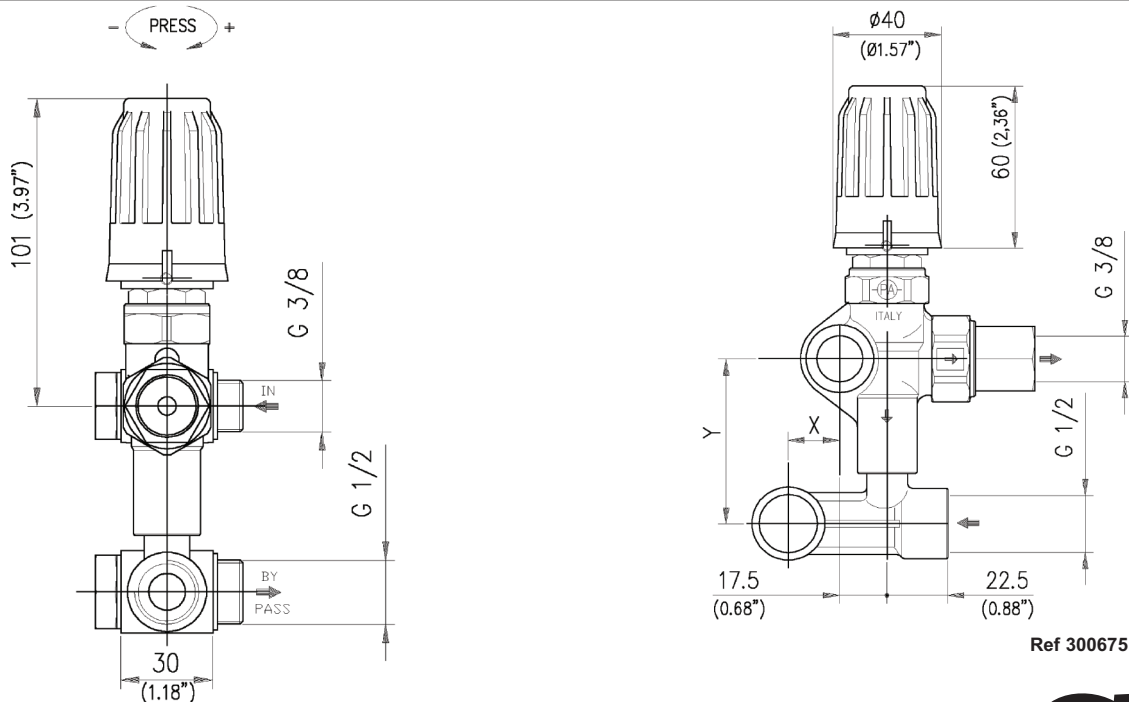
Choose the correct nozzle size, able to discharge regularly, on bypass, at least 5% of the total flow of the system in order to achieve a constant pressure, and avoid troublesome pressure spikes.

When the nozzle wears, the pressure drops. After installing a new nozzle, re-adjust the system to the original pressure setting.

TROUBLESHOOTING

| PROBLEMS | PROBABLE CAUSES | SOLUTIONS |
|--|--|---|
| Unloader cycles | <ul style="list-style-type: none"> Damaged seat or cone Fitting leaking Restricted bypass | <ul style="list-style-type: none"> Replace Check and renew Clean or adapt |
| Unloader does not come up to pressure | <ul style="list-style-type: none"> Unloader not properly sized Foreign materials between seat and shutter Piston o-ring worn out Nozzle worn out | <ul style="list-style-type: none"> Select a proper spring or a new unloader Clean the seat Replace Replace |
| Pressure spikes | <ul style="list-style-type: none"> Spring totally compressed Excessive flow in bypass There is not a min. 5% of total flow in bypass | <ul style="list-style-type: none"> Loosen and change nozzle size Select another unloader Adjust size of piping Adjust |
| Unloader does not bypass at low pressure | <ul style="list-style-type: none"> Check valve jammed Check valve o-ring worn out Foreign materials on check valve | <ul style="list-style-type: none"> Clean or replace Replace Clean |

DIMENSIONAL DRAWING



Ref 300675 Rev. A
04-09