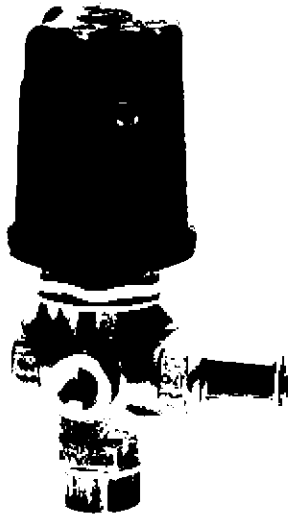


## Trapped Pressure Unloader



### SPECIFICATIONS

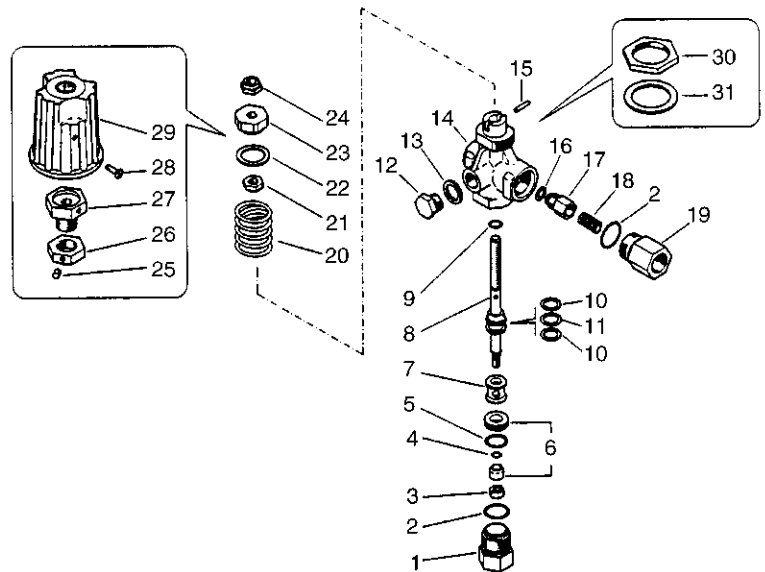
Part Number:	YVB9K
Maximum Volume	8.0 GPM
Maximum Discharge Pressure	3650 PSI
Maximum Temperature	195° F
Port Sizes:	
Inlet	3/8"-18 NPT- F
Outlet	3/8"-18 NPT- F
Bypass	3/8"-18 NPT- F
Dimensions	5.8" x 3.3" x 2.3"
Weight	1.6 lbs.
Materials	Brass, Stainless Steel, Plastic, Buna-N

### FEATURES

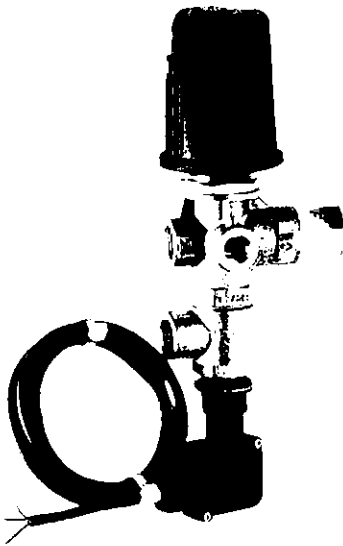
- Extremely durable unloader
- Easy Start-up due to low re-arm pressure (27% of operating pressure)

### PARTS LIST

Item	Part Number	Description	Kit	Qty
1.	Y60.2204.31	Fitting, Bypass, 3/8"-18 NPT		1
2.	Y10.3070.02	O-Ring	*	2
3.	Y11.4540.00	Nut, M6, SSt		1
4.	Y10.3001.01	O-Ring	*	1
5.	Y10.3066.01	O-Ring	*	1
6.	Y60.2221.20	Seat and Retainer	*	1
7.	Y60.2210.31	Spacer		1
8.	Y60.2202.51	Piston, VB9		1
9.	Y10.4021.00	Antri-Extrusion Ring	*	2
10.	Y10.3175.00	O-Ring	*	1
11.	Y10.3170.08	O-Ring	*	1
12.	Y28.0013.31	Plug, 1/4"-18 NPT, Brass		1
13.	Y14.3911.00	Washer		1
14.	Y60.2201.35	Body, VB9		1
15.	Y15.1021.00	Pin, 3 x 14 mm, Steel		1
16.	Y10.3213.00	O-Ring	*	1
17.	Y60.0052.31	Check Valve		1
18.	Y60.0053.51	Spring		1
19.	Y60.0059.31	Fitting, Outlet, 3/8"-18 NPT, Brass		1
20.	Y60.2203.61	Spring		1
21.	Y60.2207.31	Lock, Piston		1
22.	Y60.2208.84	Washer		1
23.	Y60.2209.31	Nut, Adjusting, Brass		1
24.	Y11.4589.10	Nut, Locking Ring		1
25.	Y16.2105.00	Screw		1
26.	Y60.2252.31	Guide, Spring		1
27.	Y60.2253.31	Nipple, Adjusting		1
28.	Y16.1838.00	Screw		1
29.	Y60.2251.84	Cap, Plastic		1
30.	Y60.2254.31	Ring, Brass		1
31.	Y14.3582.00	Washer, Steel		1
*	YKITVB9	Repair Kit		



## Trapped Pressure Unloader w/Microswitch



### SPECIFICATIONS

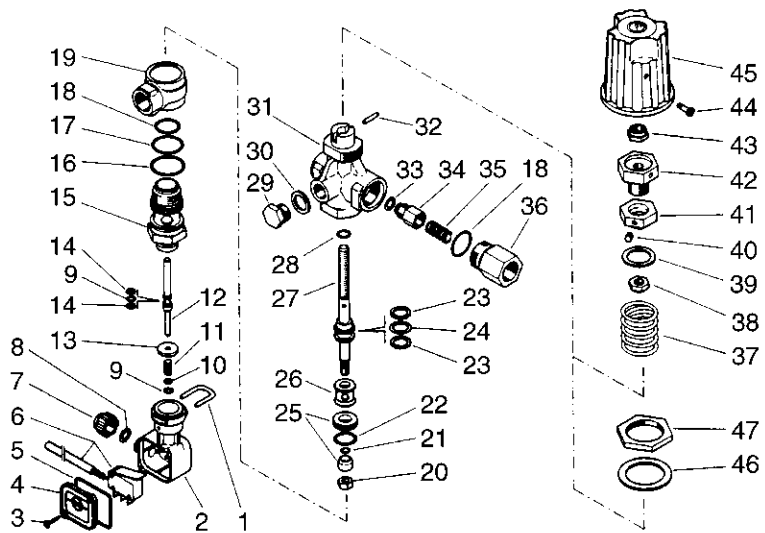
Part Number:	YVB9KMS	
Maximum Volume	8.0 GPM	
Rated Pressure	3200 PSI	
Maximum Pressure	3650 PSI	
Maximum Temperature	195° F	
Port Sizes:	Inlet	3/8" F
	Outlet	3/8" F
	Bypass	3/8" F
Dimensions		
Weight	2.3 lbs.	
Pressure Switch:	Amperage	5 amps
	Volts	250 volts
Materials	Brass, Stainless Steel, Plastic, Buna-N	

### FEATURES

- Extremely durable unloader with microswitch
- Easy Start-up due to low re-arm pressure (27% of operating pressure)
- Water-proof, 5-amp pressure switch, UL listed

### PARTS LIST

Item	Part Number	Description	Kit	Qty
1.	Y29.0087.51	U-Bolt	*	1
2.	Y29.0089.84	Switch Body	*	1
3.	Y163020.00	Screw, 2.5 x 12 mm	*	2
4.	Y29.0088.84	Cover	*	1
5.	Y10.3206.01	Gasket, 2.62 x 28.25 mm	*	1
6.	Y12.5006.00	Cable and Switch	*	1
7.	Y29.0082.84	Nut, Black	*	1
8.	Y10.3169.00	O-Ring, 2.62 x 6.02 mm	*	1
9.	Y10.3038.00	O-Ring, 1.78 x 3.68 mm	*	2
10.	Y14.3519.00	Washer, 4 x 8 mm	*	1
11.	Y60.2303.51	Spring	*	1
12.	Y60.2301.31	Pin	*	1
13.	Y29.0086.31	Washer, 4x16 mm	*	1
14.	Y10.4002.00	Back-up Ring, 4.2 x 7 mm	*	2
15.	Y60.2302.31	Fitting	*	1
16.	Y10.3073.00	O-Ring, 1.78 x 23.52 mm	*	1
17.	Y10.3072.50	O-Ring, 78 x 21.95 mm	*	1
18.	Y10.3070.02	O-Ring, 1.78 x 18.77 mm	*	2
19.	Y60.0733.35	Manifold	*	1
20.	Y11.4540.00	Nut, M6, Stainless Steel	*	1
21.	Y10.3001.01	O-Ring, 1 x 5 mm	*	1
22.	Y10.3066.01	O-Ring, 1.78 x 15.6 mm	*	1
23.	Y10.4021.00	Back-up Ring, 15.9 x 11.4 mm	*	2
24.	Y10.3175.00	O-Ring, 2.62 x 10.77 mm	*	1
25.	Y60.2221.20	Seat and Retainer	*	1
26.	Y60.2210.31	Spacer	*	1
27.	Y60.2202.51	Piston, VB9	*	1
28.	Y10.3170.08	O-Ring, 2.62 x 7.6 mm	*	1
29.	Y28.0013.31	Bolt, G-1/4	*	1
30.	Y14.3911.00	Washer, Ø13.5 mm	*	1
31.	Y60.2201.35	VB9 Body	*	1
32.	Y15.1021.00	Pin, 3 x 14 mm	*	1
33.	Y10.3213.00	O-Ring, 3 x 6 mm	*	1
34.	Y60.0052.31	Check Valve	*	1
35.	Y60.0053.51	Spring	*	1
36.	Y60.0058.31	Outlet Nipple	*	1



Item	Part Number	Description	Kit	Qty
37.	Y60.2203.61	Spring, 4.2 mm	*	1
38.	Y60.2207.31	Nut, M8	*	1
39.	Y60.2208.84	Washer	*	1
40.	Y16.2105.00	Set Screw, M5 x 6 mm	*	1
41.	Y60.2252.31	Regulating Nut	*	1
42.	Y60.2253.31	Regulating Nipple	*	1
43.	Y11.4589.10	Nut, M8	*	1
44.	Y16.1838.00	Screw, M4	*	1
45.	Y60.2251.84	Cap	*	1
46.	Y14.3582.00	Washer, Ø30 mm	*	1
47.	Y60.2254.31	Nut, M30	*	1
*	YKITVB9KMS	Repair Kit		