

GENERAL PUMP *A member of the Interpump Group*

YVB9KMS2

Trapped Pressure Unloader w/Microswitch



SPECIFICATIONS

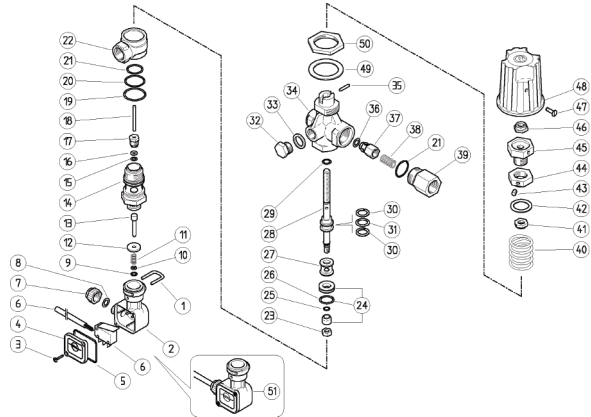
Part Number		YVB9KMS2
Maximum Volume		8.0 GPM
Rated Pressure		3200 PSI
Maximum Pressure		3650 PSI
Maximum Temperature		195 °F
Port Sizes:	Inlet	3/8" F
	Outlet	3/8" F
	Bypass	3/8" F
	Gauge	1/4" F
Overall Dimensions		5.84" x 3.3" x 2.3"
Shipping Weight		1.6 lbs.
Pressure Switch:	Amperage	1 amp ind. 5 amps res.
	Volts	250 Volts
	Lead Length	40"
	Materials	Brass, Stainless, Plastic, Buna-N

FEATURES

- Extremely durable unloader with microswitch
- Waterproof, 5-amp pressure switch, UL Listed

PARTS LIST

Item	Part Number	Description	Kit	Qty
*	Y60235524	Spare Parts Kit	*	1
1	Y29008751	SS Clip		1
2	Y29008984	Plastic Housing		1
3	Y16302000	Screw, 2.5 x 12 mm		2
4	Y29008884	Cover		1
5	Y10320601	O-ring, 2.62 x 28.25	*	1
6	Y12500600	Elect. Cable & Microswtch		1
7	Y29010984	Nut, Red		1
8	Y10316900	O-ring, 2.62 x 6.02 mm	*	1
9	Y10303800	O-ring, 1.78 x 3.68 mm	*	1
10	Y14351900	Washer, 4 x 8 mm		1
11	Y60230351	Spring		1
12	Y29008631	Washer, 4 x 16 mm		1
13	Y60235131	Pin		1
14	Y61235331	Seat Fitting		1
15	Y10316500	O-ring, 2.62 x 2.84 mm	*	1
16	Y10401800	Back ring, 3.2 x 7.5 mm	*	1
17	Y30411531	Plug, M10		1
18	Y60235251	Pin, SSt.		1
19	Y10907300	O-ring, 1.78 x 23.52 mm	*	1
20	Y10307250	O-ring, 1.78 x 21.95 mm	*	1
21	Y10307002	O-ring, 1.78 x 18.77 mm	*	2
22	Y60070335	Manifold		1
23	Y11454000	Nut, M6, SSt.		1
24	Y60222120	VB8/9 Seat + Shutter	*	1
25	Y10300101	O-ring, 1 x 4 mm	*	1
26	Y60220251	O-ring, 1.78 x 15.6 mm	*	1
27	Y60221031	Spacer		1
28	Y60220251	VB9 Piston		1
29	Y10317008	O-ring, 2.62 x 7.6 mm	*	1
30	Y10402100	Back Ring, 11.4 x 15.9 mm	*	2
31	Y10317500	O-ring, 2.62 x 10.77 mm	*	1
32	Y28001331	Plug, 1/4" BSP		1
33	Y14391100	Washer, 1/4"		1
34	Y60220135	VB9 Body, Brass		1
35	Y15102100	Pin, 3 x 14 mm		1
36	Y10321300	O-ring, 3 x 6 mm	*	1



Item	Part Number	Description	Kit	Qty
37	Y60005231	Check Valve		1
38	Y60005351	Spring		1
39	Y60005931	Outlet Fitting, 3/8" BSP		1
40	Y60220361	Spring, 4.2 mm		1
41	Y60220731	Nut, M8		1
42	Y60220864	Spring Washer		1
43	Y16210500	Dowel, M5 x 6 mm		1
44	Y60225231	Spring Nut		1
45	Y60225331	Adjustment Nipple		1
46	Y11458910	Nut, M8		1
47	Y16183800	Screw, M4		1
48	Y60225184	Plastic Knob		1
49	Y14358200	Washer, Dia, 30 mm		1
50	Y60225431	Nut, M30		1
51	Y29C09624	PR5 Plastic Housing Kit		1



General Pump is a member of the Interpump Group.



YVB9KMS2

Trapped Pressure Unloader w/Microswitch

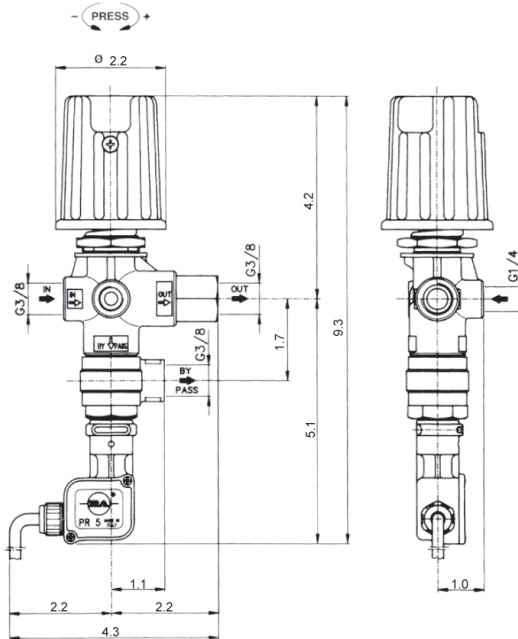
TECHNICAL SPECIFICATIONS - PRESSURE SWITCH

Max rated voltage250V	Electrical Insulation Class IP 55
Breaking Switch5 amp-resistive load/1 amp-inductive load	
Electrical Wire3 x .75mm ² (3 wire-19 gauge)	Length of Cable 1000mm (40")
Room Temp165 ^o F (75 ^o C)	Type of action 1C
Electrical Component Life50,000 cycles, Temp 85 ^o C @ 250VAC	

TROUBLESHOOTING

PROBLEMS	PROBABLE CAUSES	SOLUTIONS
Unloader cycles	<ul style="list-style-type: none"> Damaged seat or cone Fitting leaking Restricted bypass 	<ul style="list-style-type: none"> Replace Check and renew Clean or adapt
Unloader does not come up to pressure	<ul style="list-style-type: none"> Unloader not properly sized Foreign materials between seat and shutter Piston o-ring worn out Nozzle worn out 	<ul style="list-style-type: none"> Select a proper spring or a new unloader Clean the seat Replace Replace
Pressure spikes	<ul style="list-style-type: none"> Spring totally compressed Excessive flow in bypass There is not a min. 5% of total flow in bypass 	<ul style="list-style-type: none"> Loosen and change nozzle size Select another unloader Adjust size of piping Adjust
Unloader does not bypass at low pressure	<ul style="list-style-type: none"> Check valve jammed Check valve o-ring worn out Foreign materials on check valve 	<ul style="list-style-type: none"> Clean or replace Replace Clean

DIMENSIONAL DRAWING



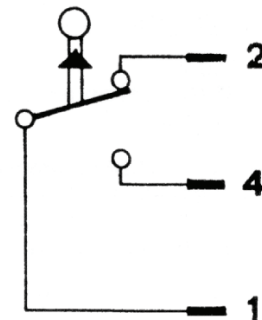
Wiring diagram

1) Red wire - 2) Blue wire - Brown wire

ELECTRICAL CONNECTION

N.O. Red + brown - Normally Open

N.C. Red + blue - Normally Closed



Ref 300342 Rev. B
01-09

