

**HM REGULATING UNLOADER**

**Ideal for use in systems which incorporate a gasoline engine;** eliminates back pressure in system when pulling a manual start engine. Features brass and stainless steel construction, and a plastic adjustable pressure control knob.



**Note:** For proper operation of the ZKHM Unloader, it must be mounted as shown in the upright position.

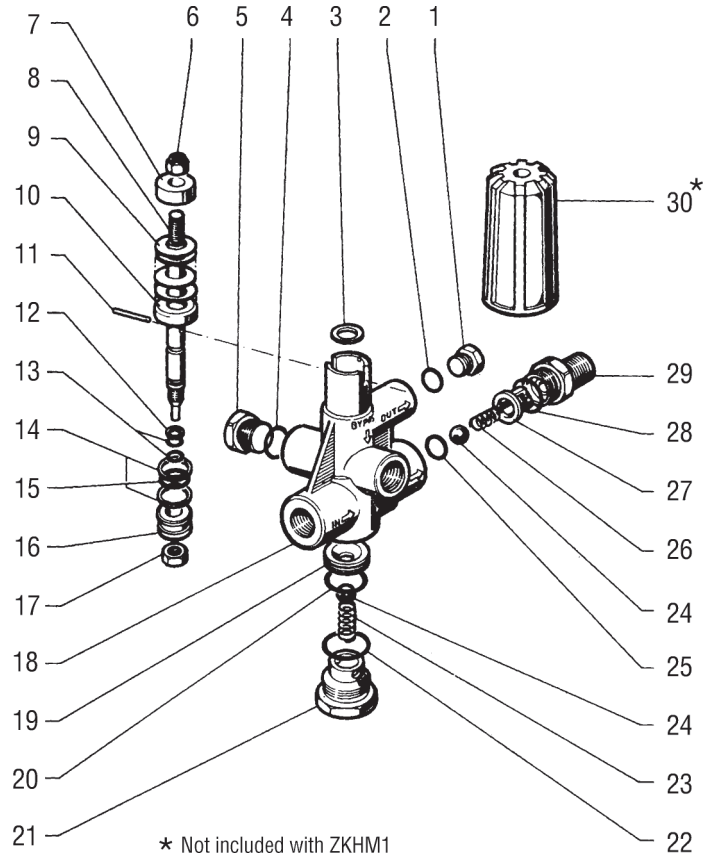
**SPECIFICATIONS**

<b>Part Number</b>	<b>ZKHM</b> (without adjusting knob) <b>ZKHM1</b>
<b>Maximum Volume</b>	10.8 GPM
<b>Maximum Discharge Pressure</b>	0 to 3000 PSI
<b>Maximum Temperature</b>	165 <sup>o</sup> F
<b>Port Size</b>	Inlet 3/8"-19 BSP-F Outlet 1/4"-19 BSP-F Outlet 3/8"-19 BSP-M Bypass (2) 3/8"-19 BSP-F
<b>Dimensions</b>	2.75" x 3.75" x 6.5"
<b>Weight</b>	2.5 lb.

*General Pump recommends using a safety relief device in conjunction with this unloader valve when installed on a positive displacement pump. General Pump is not liable and assumes no responsibility when used in a customer's high pressure system.*

### PARTS LIST

Item	Part #	Description	Qty
1	98204100	Cap	1
2	90358500	O-ring	1
3	96710200	Washer	1
4	90383300	O-ring	1
5	98210000	Cap	1
6	92220800	Nut	1
7	36311364	Spring Guide	1
8	36310766	Piston Guide	1
9	94849500	Washer	20
10	36310976	Spring Plate	1
11	97614300	Pin	1
12	90502500	Anti-extrusion Ring	1
13	90357500	O-ring	2
14	90508000	Anti-extrusion Ring	2
15	90383100	O-ring	1
16	36311266	Piston	1
17	92222000	Nut	1
18	36320101	Body	1
19	36310266	Valve Seat	1
20	90359400	O-ring	1
21	36310370	Cap	1
22	90384700	O-ring	1
23	94737400	Spring <b>*OPTIONAL</b>	1
24	97483800	Ball	2
25	90382200	O-ring	1
26	94735500	Spring	1
27	36310451	Valve Guide	1
28	90384300	O-ring	1
29	36310570	Nipple	1
30	36311002	Knob	1



**Note:** For proper operation of the HM Unloader, it must be mounted in the vertical position. The optional spring (item #23) must be used if the unloader is mounted in any position other than vertical.

### Repair Kit K72

Includes Items: 2, 4, 9 (2 pieces), 12, 13, 14, 15, 19, 20, 22, 23, 24, 25, 26, 27, 28

